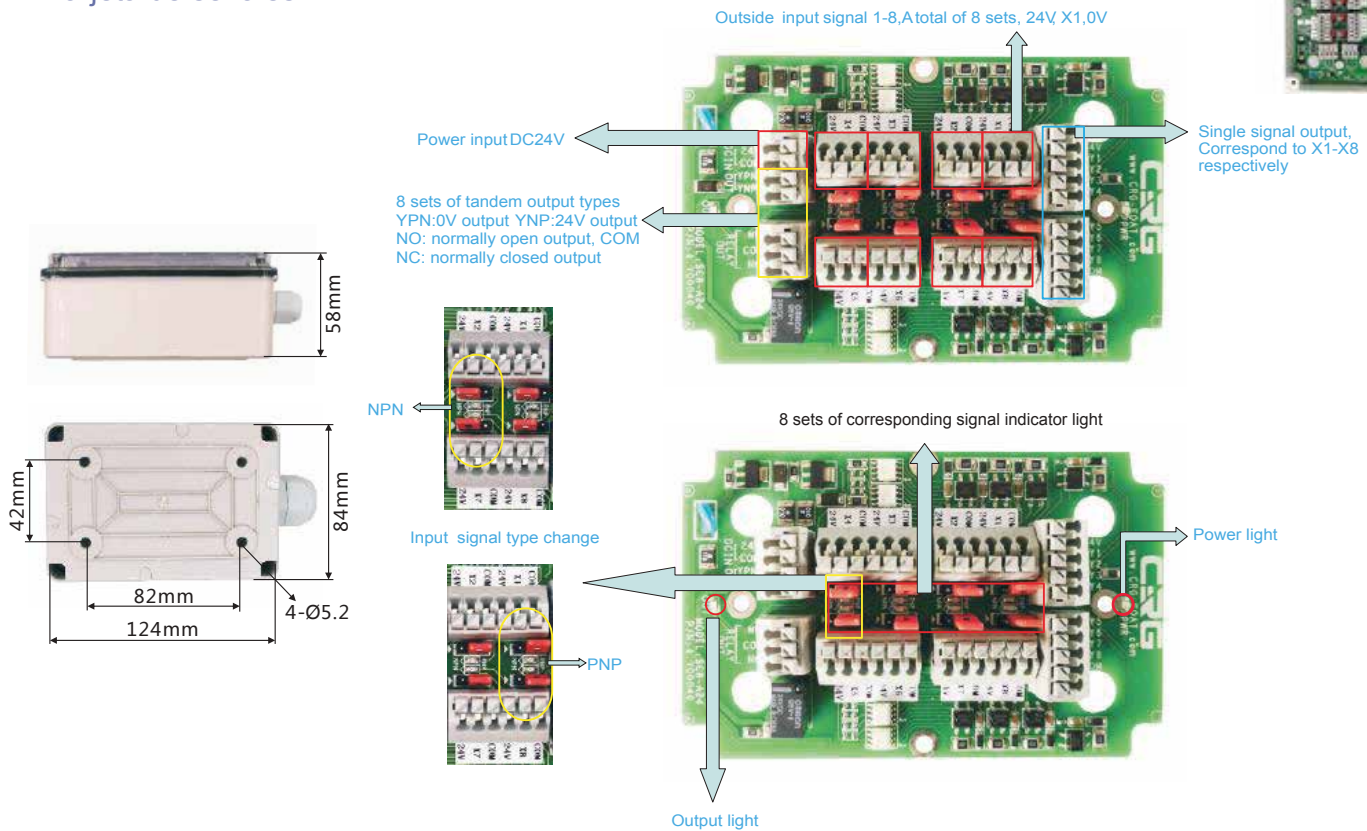


ASC-8A-B



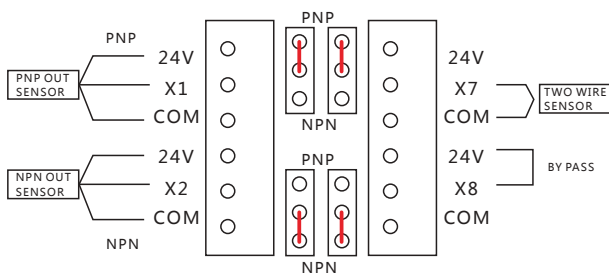
Signal boxes
Tarjeta de señales

Structure description



DESC.	Cod.
ACS-8A-B-8Y00087	79157

Operation description



Electrical parameters

	Minimum	Recommend	Maximum	Unit
supply voltage	20	24	28	V
Value of effective current at input	5	7	10	mA
Transistor Output Maximum Load	100			mA
Relay Output Load Capability (Resistive Load)	0.5A@125 VAC 1A@24VDC			
Maximum switching frequency	TBD			Hz

Function description

1. To solve the problem that the power supply of multiple sensors is not connected as one line, the problem of space occupation is cancelled. The maximum 8 groups can be used, and less than 8 groups need to be shorted.
2. Output types can be changed at present for NPN, PNP, NC, NO, and four output forms.
3. You can also crawl the signal individually, and grab the signal type for the actual type of sensor.
4. Observe the induction state of each inductor and the status of the output.
5. Types of sensors and output is not available, skipping type conversion, minus the replacement work of the sensor.