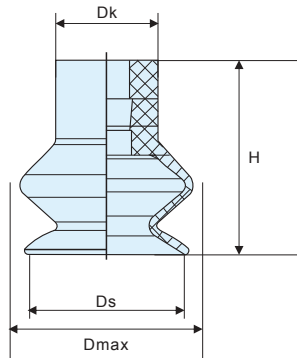
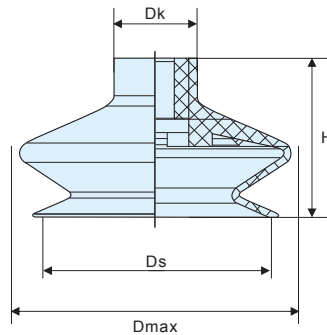




FGA-11...FGA-25



FGA-33...FGA-78



Dk	Dmax.	Ds	H	mat.	q.	DESC.	Cod.
10	13,0	10,4	16,0	NBR-55	1	FGA11-1Y12938	79829
10	13,0	10,4	16,0	SI-55	1	FGA11-1Y12288	79818
10	13,0	10,4	16,0	HTI-60	1	FGA11-1Y12298	79845
10	14,5	12,5	15,5	NBR-55	1	FGA14-1Y12939	79830
10	14,5	12,5	15,5	SI-55	1	FGA14-1Y12289	79835
10	14,5	12,5	15,5	HTI-60	1	FGA14-1Y12299	79846
10	18,5	15,6	19,2	NBR-55	1	FGA16-1Y12940	79831
10	18,5	15,6	19,2	SI-55	1	FGA16-1Y12290	79836
10	18,5	15,6	19,2	HTI-60	1	FGA16-1Y12300	79825
10	21,0	18,1	15,2	NBR-55	2	FGA20-1Y12941	79832
10	21,0	18,1	15,2	SI-55	2	FGA20-1Y12291	79837
10	21,0	18,1	15,2	HTI-60	2	FGA20-1Y12301	79824
10	25,0	21,5	19,0	NBR-55	2	FGA22-1Y12942	79823
10	25,0	21,5	19,0	SI-55	2	FGA22-1Y12292	79838
10	25,0	21,5	19,0	HTI-60	2	FGA22-1Y12302	79847
10	26,6	22,5	23,0	NBR-55	3	FGA25-1Y12943	79833
10	26,6	22,5	23,0	SI-55	3	FGA25-1Y12293	79839
10	26,6	22,5	23,0	HTI-60	3	FGA25-1Y12303	79848
18	38,0	30,0	27,0	NBR-55	7	FGA33-1Y12944	79819
18	38,0	30,0	27,0	SI-55	7	FGA33-1Y12294	79827
18	38,0	30,0	27,0	HTI-60	7	FGA33-1Y12304	79826
18	47,5	38,0	27,6	NBR-55	11	FGA43-1Y11945	79820
18	47,5	38,0	27,6	SI-55	11	FGA43-1Y12295	79840
18	47,5	38,0	27,6	HTI-60	11	FGA43-1Y12305	79849
18	60,0	50,0	34	NBR-55	19	FGA53-1Y12946	79821
18	60,0	50,0	34	SI-55	19	FGA53-1Y12296	79841
18	60,0	50,0	34	HTI-60	19	FGA53-1Y12306	79850
18	68,0	60,0	34	NBR-55	24	FGA63-1Y12947	79822
18	68,0	60,0	34	SI-55	24	FGA63-1Y12297	79842
18	68,0	60,0	34	HTI-60	24	FGA63-1Y12307	79851
25	84,5	74,0	47	NBR-55	56	FGA78-1Y12948	79834
25	84,5	74,0	47	SI-55	56	FGA78-1Y12950	79843
25	84,5	74,0	47	HTI-60	56	FGA78-1Y12952	79852

Materials Materiales	Shore hardness Dureza Shore	Flexibility Flexibilidad	Abrasion rest. Rest. a abrasion	UV/Weather rest. Rest. UV/Clima	Oil rest. Rest. a aceites	Heat rest.C° Rango temp.C°	Colour Color
HT1-60: Siton ®	60	+	++	-	++	-40~220°	Blue Azul
SI-55: Silicone	50	+++	-	+++	-	-25~170°	Translucent Tranlucido
NBR-55: Nitrile	60	+	+	-	++	-30~120°	Black Negro