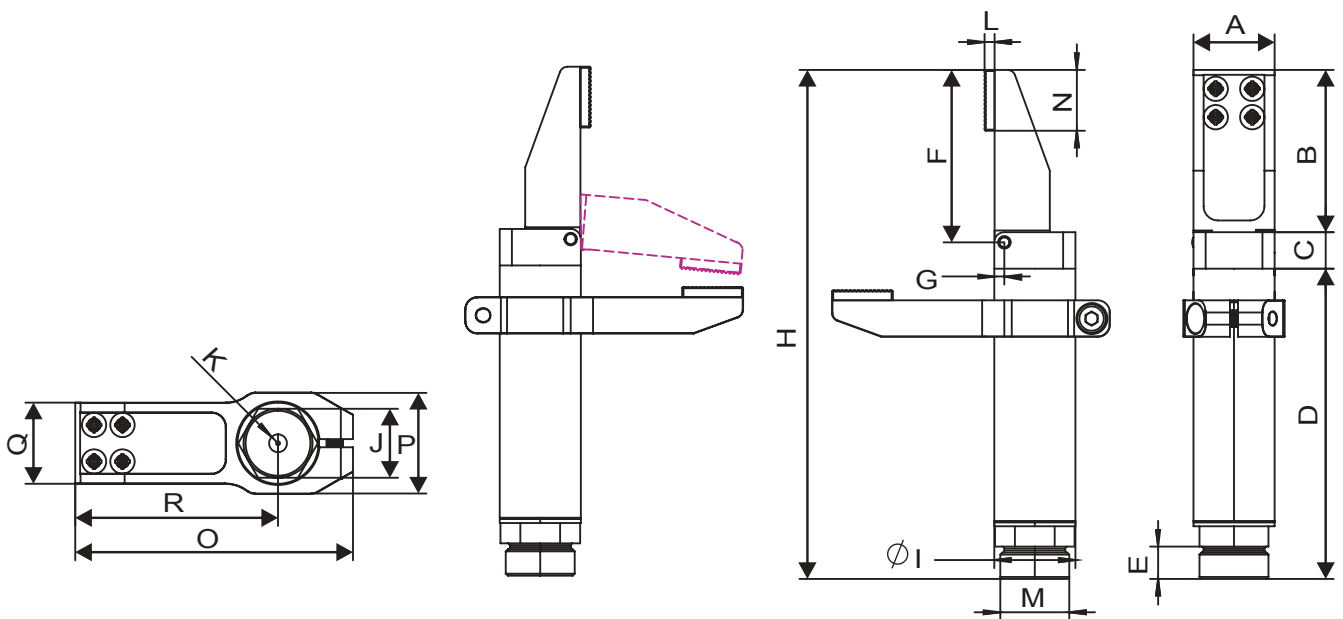


GFR-L



One finger angular pneumatic grippers
Pinza angular

Model	GFR20-95LG
Pressure range	2.5 ~ 8 bar
Stroke	95°
Piston bore	Ø16 mm
Closing torque at 6 bar	70 Ncm
Cycle air consumption	3.52 cm ³



A	B	C	D	E	F	G	H	I	J	K	L	M	N	O	P	Q	R	g.	DESC.	Cod.
20	40	9	76,5	8	42,5	2,5	125,5	20	17	M5	2,5	M17*1	15	68,5	25	20	50	104,8	GFR20-95LG-8Y00310	79229

