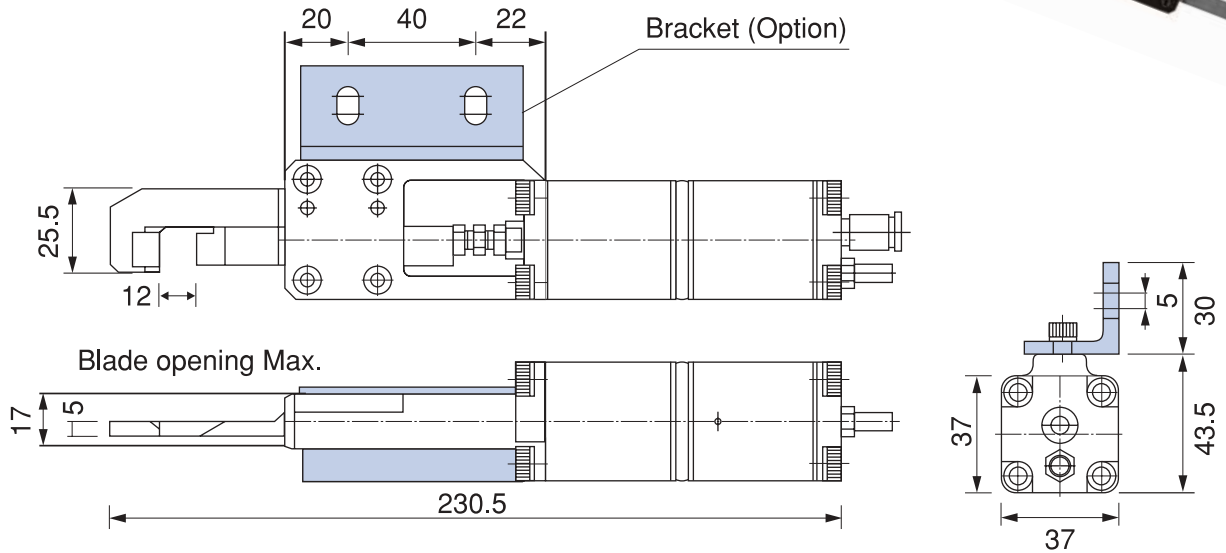


GT-NK



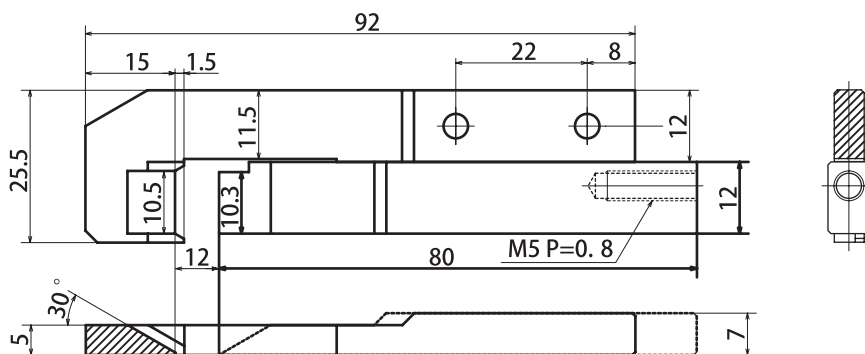
Thrust cut air nipper
Pinza corte de colada



Capacity Ø mm.	Air presure	Applied presure	Air consumption	Weight	DESC.	Cod.
ABS plastic	(Mpa)	(N)	1 stroke	g.	GT-NK10	79860
5,0	0,4 -0,5	735,0	110	800		

NK10AJ

Thrust cut air nipper blades
Cuchillas corte



Blade opening	Cutting blade effective	g.	DESC.	Cod.
12 m.m.	10 m.m.	96	NK10AJ	79872