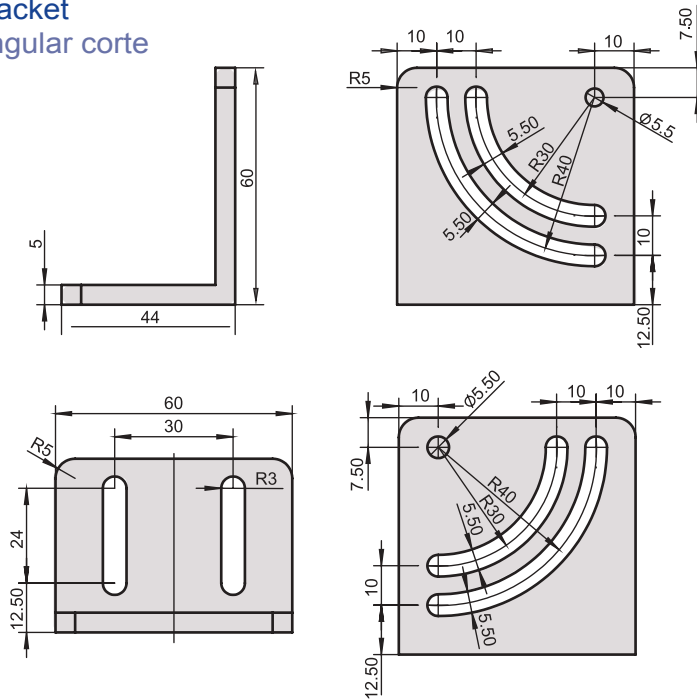


SCE4NR-L/R



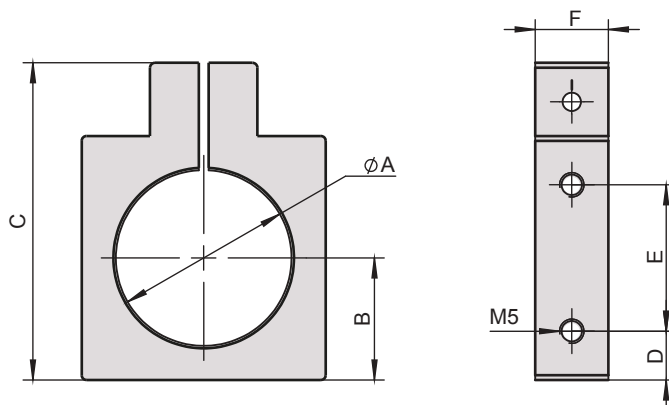
Gas cut bracket
Soporte angular corte



g.	DESC.	Cod.
65,5	SCE4-NR-L/R-7Y00868	79209

SCE4NR

Gas cut fixation
Soporte de corte



A	B	C	D	E	F	g.	DESC.	Cod.
36	25	65	10	30	15	72	SCE4-NR10-7Y00148	79210
45	30	75	10	40	15	93	SCE4-NR20-7Y00147	79211
56	35	85	10	40	15	111	SCE4-NR30-7Y00146	79212