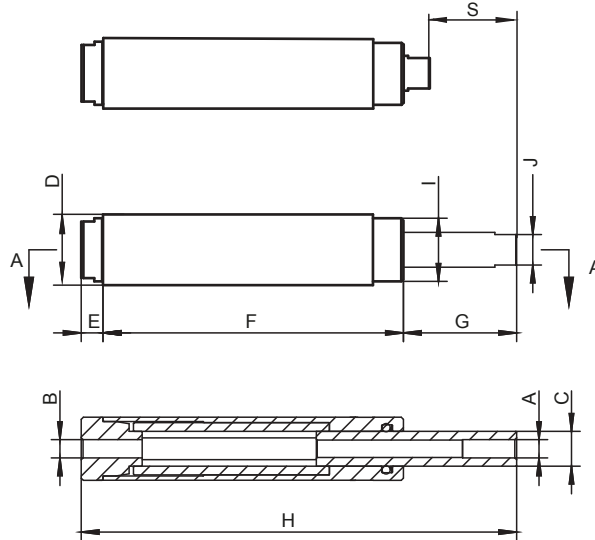


VFC



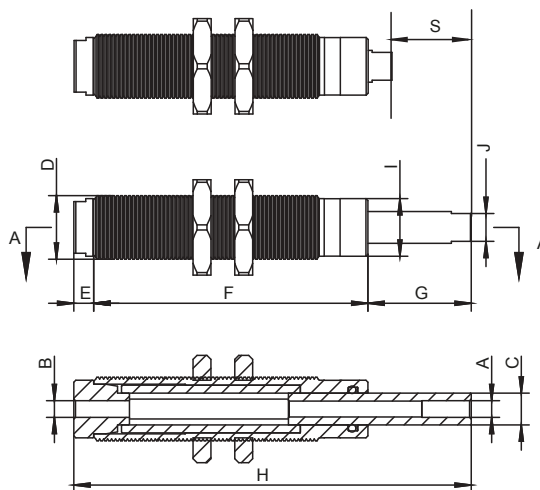
Non rotating suspensions for fixed piping
Compensadores anti-giro



A	B	C	D	E	F	G	H	I	J	S	g.	DESC.	Cod.
1/8	1/8	13	20	8	85	40	133	18	12	30	60	VFC2030-1/8-8Y00313	79536

VFCT

Non rotating suspensions for fixed piping
Compensadores anti-giro



A	B	C	D	E	F	G	H	I	J	S	g.	DESC.	Cod.
M5	M5	8	M16x1	5	69	26	100	14,5	7	20	43	VFCT1620-M5-8Y00277	79418
1/8	1/8	13	M20x1	8	85	40	133	18	12	30	80	VFCT2030-1/8-8Y00314	79537