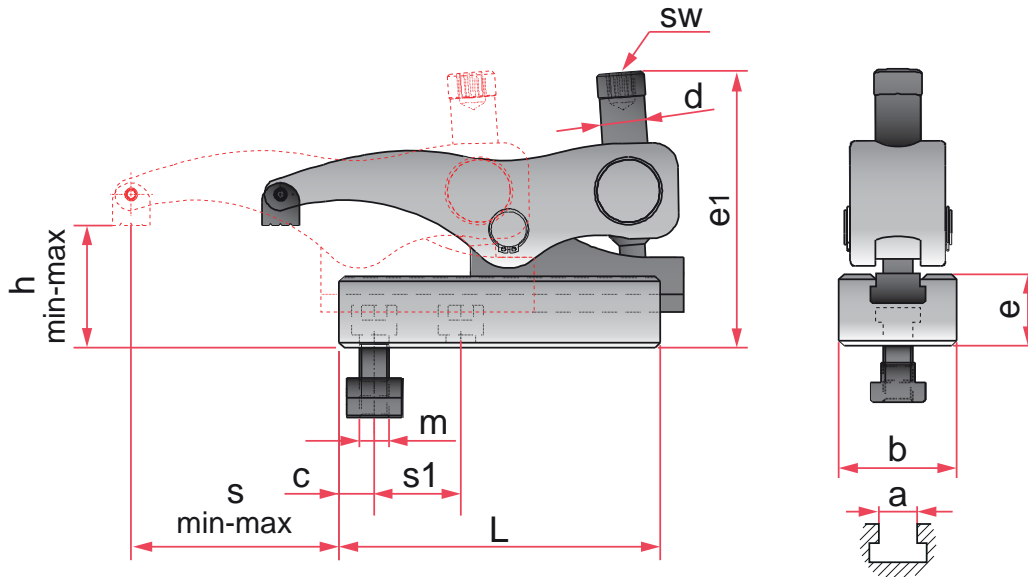


# BR43113



Quick clamps  
Bridas rapidas  
Zacisk



a	m	h min.	h max.	s	s1	e1	d	sw	L	e	b	c	clamping force	max. Tightening torque [Nm]	REF.
14	M-12	0	60	15-83	30	113	M18	10	130	39	48	17,5	2000	100	BR43113/ 12/14 T
16	M-12	0	60	15-83	30	113	M18	10	130	39	48	17,5	2000	100	BR43113/ 12/16 T
18	M-12	0	60	15-83	30	113	M18	10	130	39	48	17,5	2000	100	BR43113/ 12/18 T
20	M-12	0	60	15-83	30	113	M18	10	130	39	48	17,5	2000	100	BR43113/ 12/20 T
22	M-12	0	60	15-83	30	113	M18	10	130	39	48	17,5	2000	100	BR43113/ 12/22 T
18	M-16	0	65	18-96	35	125	M-20	12	140	43	55	19,5	2500	150	BR43113/ 16/18 T
20	M-16	0	65	18-96	35	125	M-20	12	140	43	55	19,5	2500	150	BR43113/ 16/20 T
22	M-16	0	65	18-96	35	125	M-20	12	140	43	55	19,5	2500	150	BR43113/ 16/22 T
24	M-16	0	65	18-96	35	125	M-20	12	140	43	55	19,5	2500	150	BR43113/ 16/24 T
28	M-16	0	65	18-96	35	125	M-20	12	140	43	55	19,5	2500	150	BR43113/ 16/28 T
22	M-20	20	80	17-92	41,5	175	M-24	12	178	55	74	24	5500	200	BR43113/ 20/22 T
24	M-20	20	80	17-92	41,5	175	M-24	12	178	55	74	24	5500	200	BR43113/ 20/24 T
28	M-24	20	80	17-92	41,5	175	M-24	12	178	55	74	24	5500	200	BR43113/ 20/28 T
36	M-24	20	80	17-92	41,5	175	M-24	12	178	55	74	24	5500	200	BR43113/ 20/36 T

