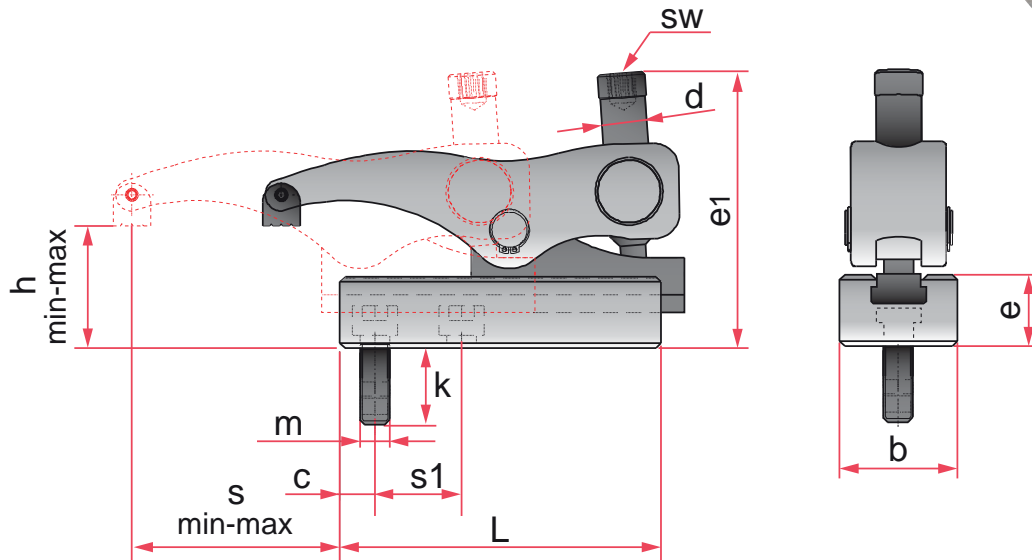


BR43114



Quick clamps
Bridas rapidas
Zacisk



m	h min.	h max.	s	s1	e1	d	sw	L	e	b	c	k	Force	max. Tightening torque [Nm]	REF.
M-10	0	50	12-66	25	100	M-14	8	104	35,5	38	13	20	1600	50	BR43114/ 20/10 M
M-12	0	50	12-66	25	100	M-14	8	104	35,5	38	13	20	1600	50	BR43114/ 20/12 M
M-12	0	60	15-83	30	113	M-18	10	130	39	48	17,5	22	2000	100	BR43114/ 30/12 M
M-16	0	60	15-83	30	113	M-18	10	130	39	48	17,5	26	2000	100	BR43114/ 30/16 M
M-16	0	65	18-96	35	125	M-20	12	140	43	55	19,5	26	2500	150	BR43114/ 50/16 M
M-18	0	65	18-96	35	125	M-20	12	140	43	55	19,5	30	2500	150	BR43114/ 50/18 M
M-20	0	65	18-96	35	125	M-20	12	140	43	55	19,5	30	2500	150	BR43114/ 50/20 M
M-20	20	80	17-92	41,5	175	M-24	12	178	55	74	24	34	5500	200	BR43114/ 60/20 M
M-22	20	80	17-92	41,5	175	M-24	12	178	55	74	24	38	5500	200	BR43114/ 60/22 M
M-24	20	80	17-92	41,5	175	M-24	12	178	55	74	24	44	5500	200	BR43114/ 60/24 M
M-30	20	80	17-92	41,5	175	M-24	12	178	55	74	24	51	5500	200	BR43114/ 60/30 M

