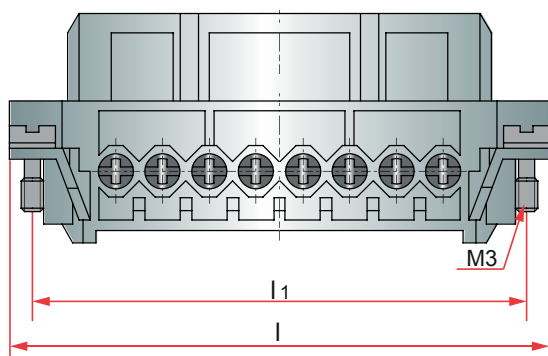


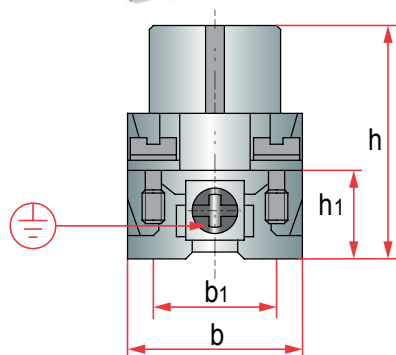
# BR2711



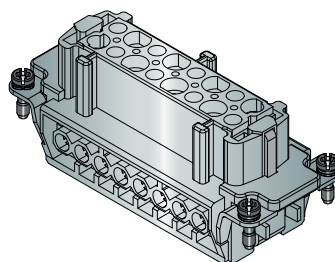
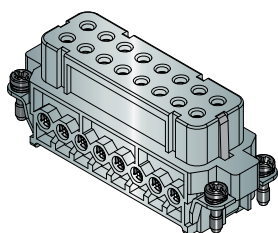
Female insert whit threaded connection  
Conector hembra



Type A



Type B



Mat. Polycarbonate. Maximum temperature at work: 125° C.

l	b	h	l1	b1	h1	polos	tipo	DESCRIPCION
21	21	26	-	-	-	3	A	BR2711/03A
		27	-	-	-	4		BR2711/04A
56	23	30	49,5	16	11,5	10		BR2711/10A
72,4			66			16	BR2711/16A	
64	34	35	57	27	18	10	B	BR2711/10B
84,5			77,5			16		BR2711/16B
111			104			24		BR2711/24B

Poles	Type	Rated voltage	Rated current
3 - 4	A	230V	10A
10 - 16		250V	
10 - 24	B	500V	