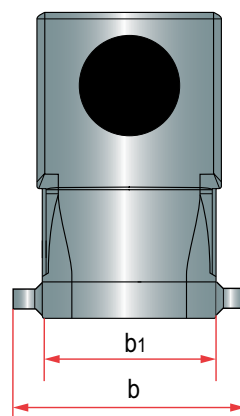
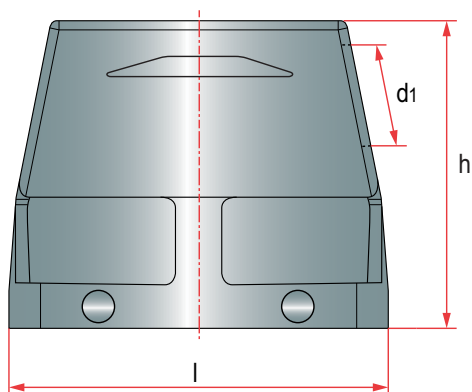


BR2732

Socket housing with double locking latch
Caja de enchufe con doble conexión



Mat. Powder coated die-cast aluminium. Maximum temperature at work: 125° C.

b	l	h	b1	d1	poles	type	DESC.
57	73	72	43	M25x1,5	10	B	BR2732/10B
	93,5	76		PG21	16		BR2732/16B
	120			PG29	24		BR2732/24B

Type of connector BR2711, 2712