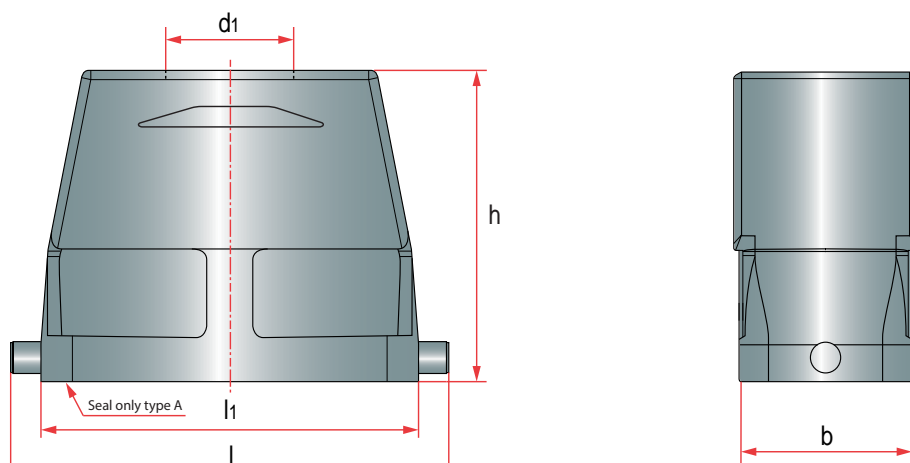


BR2733

Sleeve housing for single locking lacht
 Capota de enchufe con sujeción simple



Mat. Die-cast aluminium. Maximum temperature at work: 125° C.

b	l	h	l1	d1	polos	tipo	DESCRIPCION
27	35	60	27	PG11	3	A	BR2733/03A
			27	PG11	4	A	BR2733/04A
29,5	72	67	63	M25X1,5	10	A	BR2733/10A
	88,5	70	79,5	PG21	16	A	BR2733/16A
43	90,5	72	73	M25X1,5	10	B	BR2733/10B
	111,5	76	93,5	PG21	16	B	BR2733/16B
	138	76	120	PG29	24	B	BR2733/24B

Type of connector BR2711, 2712