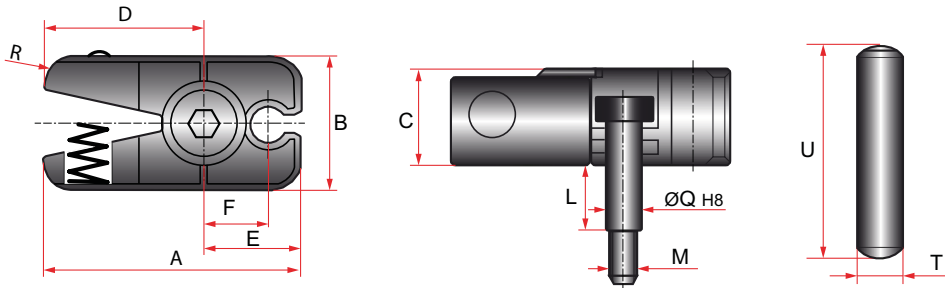
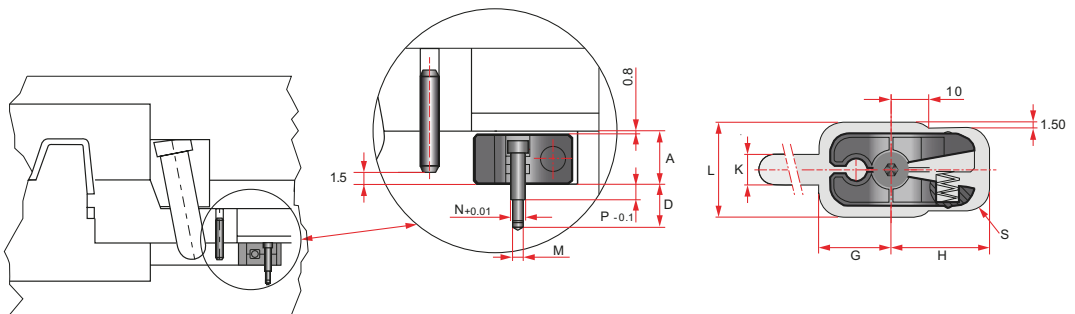


Slide retainers
 Retensor de corredera
 Zatrask suwaka
 Retentores de movimientos
 Verrous de tiroirs



Mat.: cast from 8620 steel. Hardness: 58-62 HRC. Maximum temperature at work: 150° C.

A	B	C	D	E	F	Q	R	M	T	L	U	Max. Slide weight(Kg)	TPM	REF.
38	19	16	22	16	9,15	6	5	M5	6	6	30	10	5x16	MRT10M
54	32	20	33	21	12,7	8	6	M6	8	8	40	20	6x20	MRT20M
86	45	30	53	33	20,3	10	10	M8	10	10	60	40	8x30	MRT40M



L	K	G	H	S	A	P	D	N	M	REF.
25	8	19	26	8	17	6	15,5	6	M5	MRT10M
38	10	24	36	10	21	8,1	20,5	8	M6	MRT20M
51	12	36	56	13	31	10	25	10	M8	MRT40M