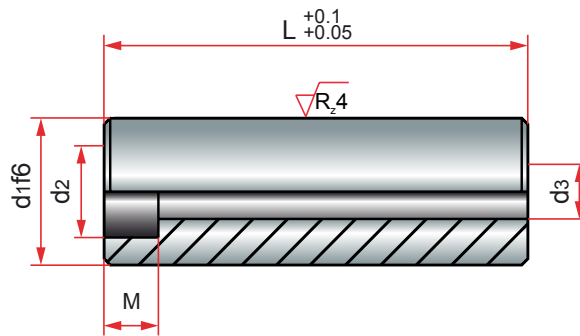


Support pillar
Columna de apoyo



Hardness: 58 ± 2 HRC.

M	d2	d3	d1	L	QTY.