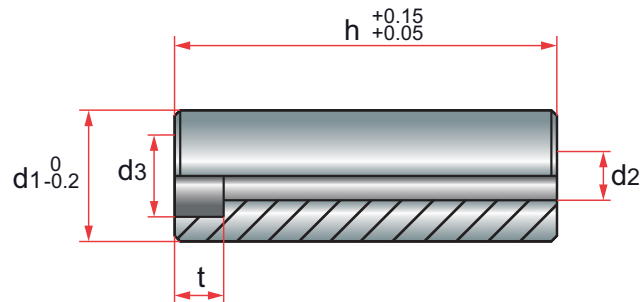


Support pillar
 Columna de apoyo
 Trzpień podporowy
 Coluna de suporte
 Plot de soutien



Mat. : 1.1730 / 640 N/mm².

t	d3	d2	d1	h	REF.
9	15	9	32	36	BR571/ 32x036
				46	BR571/ 32x046
				56	BR571/ 32x056
				66	BR571/ 32x066
				76	BR571/ 32x076
				86	BR571/ 32x086
				96	BR571/ 32x096
				116	BR571/ 32x116
11	18	11	40	46	BR571/ 40x046
				56	BR571/ 40x056
				66	BR571/ 40x066
				76	BR571/ 40x076
				86	BR571/ 40x086
				96	BR571/ 40x096
				116	BR571/ 40x116
				14	20
66	BR571/ 50x066				
76	BR571/ 50x076				
86	BR571/ 50x086				
96	BR571/ 50x096				
116	BR571/ 50x116				
136	BR571/ 50x136				
63	56	BR571/ 63x056			
	66	BR571/ 63x066			
	76	BR571/ 63x076			

t	d3	d2	d1	h	REF.
14	20	14	63	86	BR571/ 63x086
				96	BR571/ 63x096
				116	BR571/ 63x116
				136	BR571/ 63x136
				156	BR571/ 63x156
				176	BR571/ 63x176
				196	BR571/ 63x196
				236	BR571/ 63x236
18	26	18	80	76	BR571/ 80x076
				86	BR571/ 80x086
				96	BR571/ 80x096
				116	BR571/ 80x116
				136	BR571/ 80x136
				156	BR571/ 80x156
				176	BR571/ 80x176
				196	BR571/ 80x196
			100	96	BR571/100x096
				116	BR571/100x116
				136	BR571/100x136
				156	BR571/100x156
				176	BR571/100x176
196	196	BR571/100x196			
	236	BR571/100x236			

