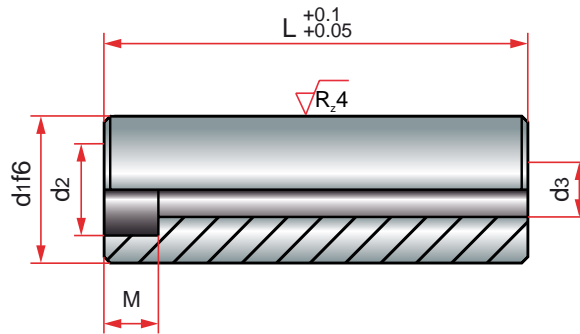


Support pillar
 Columna de apoyo
 Słup podporowy
 Coluna de suporte
 Plot de soutien



Hardness: 58 ± 2 HRC.

M	d2	d3	d1	L	REF.
9	15	9	24	50	BRSP/ 24 x 50
				60	BRSP/ 24 x 60
				70	BRSP/ 24 x 70
				80	BRSP/ 24 x 80
				90	BRSP/ 24 x 90
				100	BRSP/ 24 x 100
11	18	11	36	60	BRSP/ 36 x 60
				70	BRSP/ 36 x 70
				80	BRSP/ 36 x 80

M	d2	d3	d1	L	REF.
11	18	11	36	90	BRSP/ 36 x 90
				100	BRSP/ 36 x 100
				120	BRSP/ 36 x 120
				140	BRSP/ 36 x 140
				160	BRSP/ 36 x 160
13	20	13	48	80	BRSP/ 48 x 80
				90	BRSP/ 48 x 90
				100	BRSP/ 48 x 100
				120	BRSP/ 48 x 120
				140	BRSP/ 48 x 140
	160	BRSP/ 48 x 160			

