

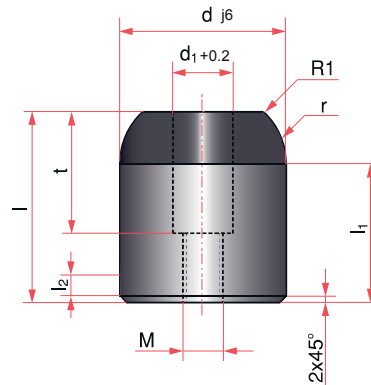
# SM303/01

GSB M303-01



Locating pins  
Centrador

Mat. 16MnCr5  
Hardness HRC: 60+64

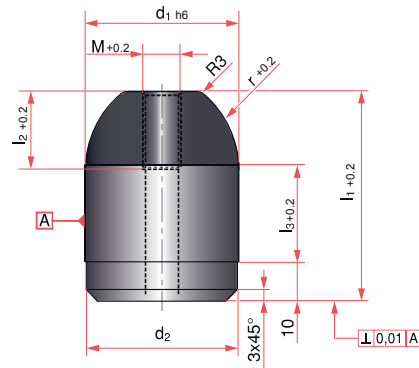


$d$	$d_1$	$l$	$l_1$	$l_2$	$M$	$r$	$t$
22	14	45	37,5	8	M10	12,5	25
32	18	50	40	10	M12	20	35
40		55					
50							

How to order: SM303/01-d-l / Example: SM303/01-022-045  
Forma de pedido: SM303/01-d-l / Ejemplo: SM303/01-022-045

# SM303/02

GSB M303-02/VW-Audi 39V1205



Mat. 16MnCr5  
Hardness HRC: 60+64

VW-Audi	$d_1$	$d_2$	$l_1$	$l_2$	$l_3$	$M$	$r$
39V1205/1	22	22	45	16	35,00	M8	15
39V1205/2			55		45,00		
S/N	32	32	50	20	37,50	M10	20
39V1205/3			55		35,00		
39V1205/4			65		45,00		
39V1205/5			85		65,00		
S/N			50		50		
S/N	56	56	80	60,00	30		

How to order: SM303/02-d1-l1 / Example: SM303/02-050-055  
Forma de pedido: SM303/02-d1-l1 / Ejemplo: SM303/02-050-055